

# FLEXIBLE VINYL T-MOLDING

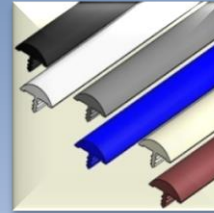


**Barbour Plastics Flexible Vinyl T-molding** is a great product to finish off raw edges on tables, desk tops, work stations, retail display fixtures and gaming fixtures. Flexible Vinyl is one of the most economical thermoplastic materials available making it a great choice to finish off your edges.

### Standard Colors

BLACK
WHITE
GRAY
BLUE
BEIGE
BROWN

### Custom Colors



### Custom Shapes



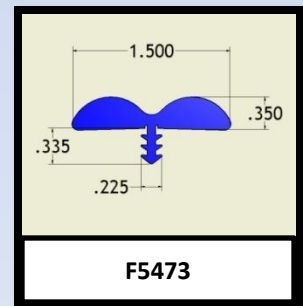
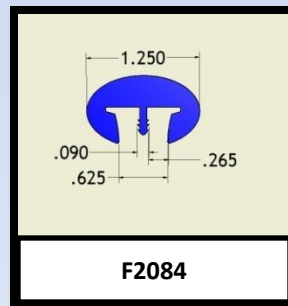
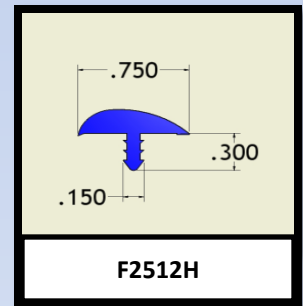
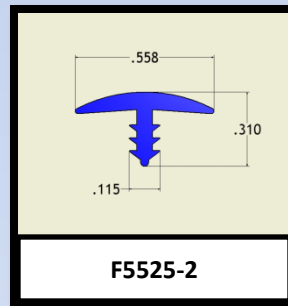
## Physical Properties

•Specific Gravity	1.23
•Hardness – shore A +/- 5	78
•Tensile strength, PSI	3,100
•Elongation, %	335
•Low temp. brittleness, °F	-25
•Max. Operating Temp., °F	165

## Barbour Plastics can easily customize your request:

- Choose from different hardness ratings from 75A to 95A durometer
- Variety of finishes from low dull to high satin gloss
- Cut to specific straight lengths or provided in bulk coils
- Select from a wide range of standard colors or request a precise custom color match
- Custom shapes can be designed quickly and affordably

*Barbour Plastics quality trim profiles have the right fit and superior finish to enhance the look of any fixture. Contact us to see how we may be able to help give your project the winning edge.*



# FLEXIBLE VINYL T-MOLDING

